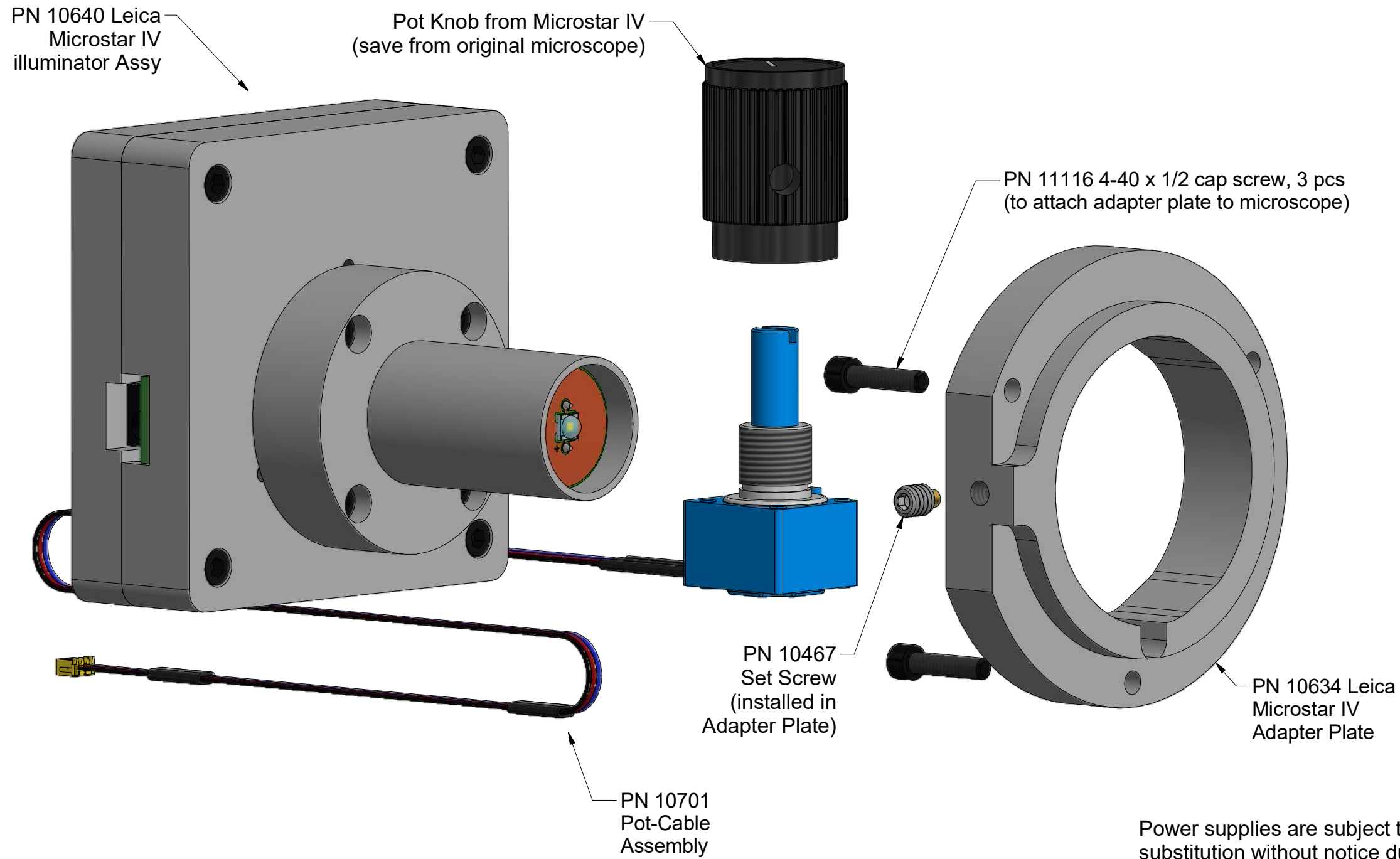


**Nanodyne Replacement Illuminator for Leica Microstar IV Microscope: Included Items**

**Additional Items Included But Not Shown:**

- PN 10703 Hex Key 0.05 inch - for knob
- PN 10490 Hex Key 5/64 inch - for set screw
- PN 10709 Hex Key 3/32 inch - for 4-40 screws
- PN 10610 cable ties (4pcs) - to secure pot cable



PN 10733 Power Supply - XP Power 5V 1A and PN 10734 Cable 6 foot USB A to 1.35mm ID/3.5mm OD RA Barrel Plug.

The illuminator may be powered by plugging the cable into the power supply provided, or into a suitable USB port on a computer or other device.



PN 10736 Rubber plug to block unused AC power recepticle.

Power supplies are subject to substitution without notice due to availability issues and changes in regulations.

Wayne Bonin	3/10/2019
PN 10698 Leica Microstar IV Illuminator System	REV 6
SHEET 1 OF 1	